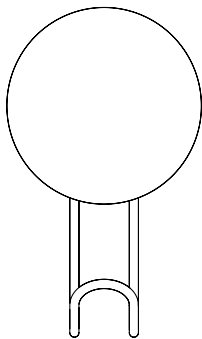


ASSEMBLY INSTRUCTION

Around



WOUD

SIMPLE YET GRAPHIC, THE AROUND WALL HANGERS COMBINE INTERESTING AESTHETICS AND FUNCTIONALITY. DESIGNED WITH INTENTION OF CREATING AN ELEGANT AND PRACTICAL PRODUCT, THAT WILL STAY DECORATIVE EVEN WHEN IN USE.

THE WOODEN CONCAVE SURFACE BRINGS A SCULPTURAL DETAIL TO THE DESIGN WHILE ADDING WARMTH AND BALANCE TO THE STURDY METAL HOOK. MATERIALS THAT ARE CONTRASTING AND COMPLEMENTARY AT THE SAME TIME.

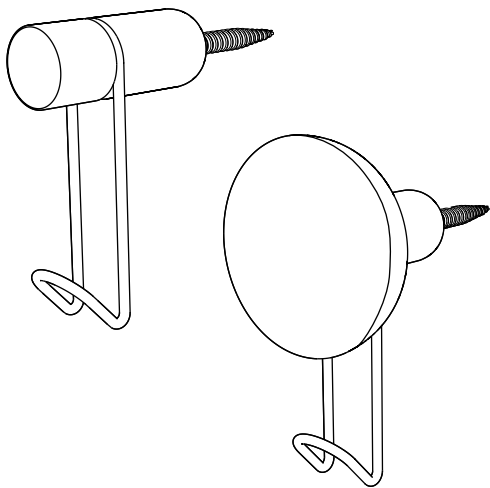
A handwritten signature in black ink, consisting of the names 'Mira Ene' and 'Codrin Standciulescu' written in a fluid, cursive style.

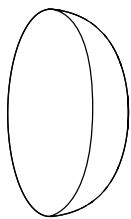
**MIRA ENE AND CODRIN STANCIULESCU
201 DESIGN STUDIO**

ASSEMBLY INSTRUCTION

**PLEASE GO THROUGH THE FOLLOWING
STEPS CAREFULLY. RETAIN THIS MANUAL
FOR FUTURE REFERENCE TO ENSURE THAT
YOUR NEW ITEM IS CORRECTLY ASSEMBLED
IN CASE IT SHOULD BE DISASSEMBLED OR
MOVED. WE ARE NOT RESPONSIBLE FOR
ANY FAULTS OR DAMAGES CAUSED BY
NOT FOLLOWING THESE INSTRUCTIONS
CORRECTLY.**

**THIS ASSEMBLY INSTRUCTION APPLIES FOR BOTH SMALL AND LARGE
AROUND WALL HANGER.**





A x 1



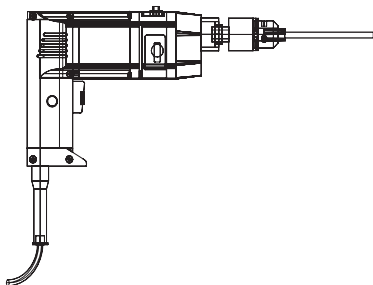
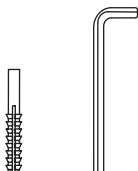
B x 1



C x 1

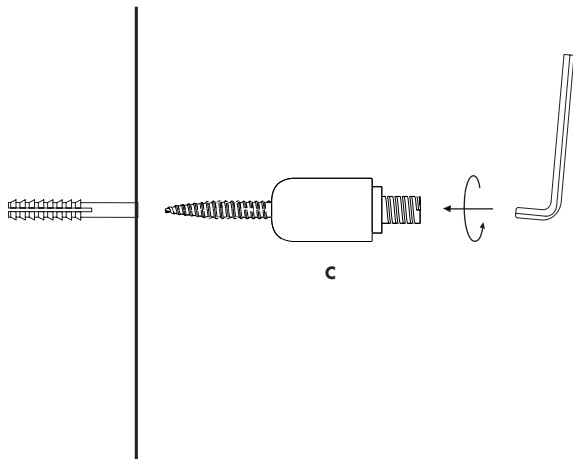
TOOLS NEEDED

THESE ITEMS ARE NOT INCL. AND CAN BE PURCHASED IN THE SHOPS.



STEP 1

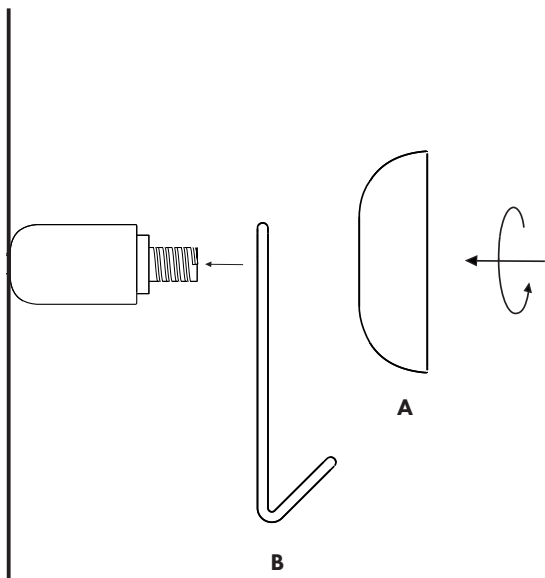
MARK AND DRILL HOLES IN THE WALL. APPLY FITTING WALL PLUGS AND THEN MOUNT THE WALL HANGER BASE (C).



C

STEP 2

APPLY PART B AROUND PART C AND USE ONLY HANDS TO SCREW ON PART A.



DESIGNED BY
201 DESIGN STUDIO