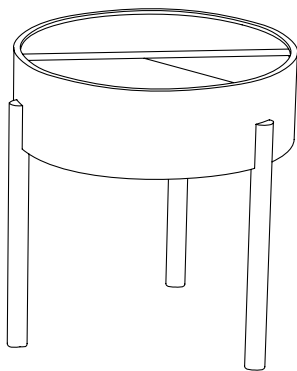


ASSEMBLY INSTRUCTION

# Arc



WOUD

**WE WANTED TO CREATE A BEAUTIFUL PLACE TO HIDE YOUR MESS. ARC IS A SIMPLE TABLE WITH A HIDDEN STORAGE SPACE. BY SIMPLY ROTATING HALF OF THE CIRCULAR LID, THE EXPRESSION IS EVER CHANGEABLE. THE THREE-LEGGED CONSTRUCTION ADDS A PLAYFUL AND LIGHT TOUCH TO THE GEOMETRIC SHAPED DESIGN. BASED ON THE SIMPLE GEOMETRICS, THE TABLE CAN BE USED IN VARIOUS WAYS.**

A handwritten signature in black ink, consisting of two names: 'Julie Begtrup' and 'Ditte Vad'. The signature is written in a fluid, cursive style.

**JULIE BEGRUP AND DITTE VAD**

**STEP 1 AND 2 ONLY APPLIES TO:**

**ARC COFFEE TABLE Ø66**

**ARC COFFEE TABLE Ø89**

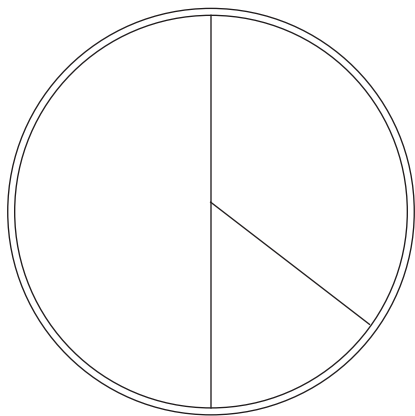
# **TAKE CARE**

**WE HAVE NOW HANDED OVER  
ONE OF OUR DARLINGS TO YOU.  
NOW IT IS YOURS. TAKE GOOD  
CARE OF IT. YOU CAN READ THE  
CARE INSTRUCTIONS FOR ALL  
OUR MATERIALS AT OUR WEBSITE.**

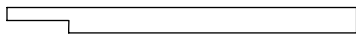
**[WOUND.DK/TAKECARE](http://WOUND.DK/TAKECARE)**

# **ASSEMBLY INSTRUCTION**

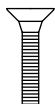
**PLEASE GO THROUGH THE FOLLOWING  
STEPS CAREFULLY. RETAIN THIS MANUAL  
FOR FUTURE REFERENCE TO ENSURE THAT  
YOUR NEW ITEM IS CORRECTLY ASSEMBLED  
IN CASE IT SHOULD BE DISASSEMBLED OR  
MOVED. WE ARE NOT RESPONSIBLE FOR  
ANY FAULTS OR DAMAGES CAUSED BY  
NOT FOLLOWING THESE INSTRUCTIONS  
CORRECTLY.**



**A x 1**



**B x 3**



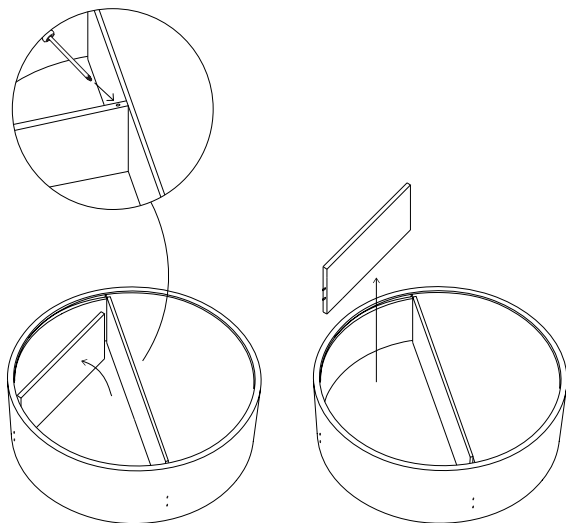
**C x 6**

## TOOLS NEEDED



# STEP 1

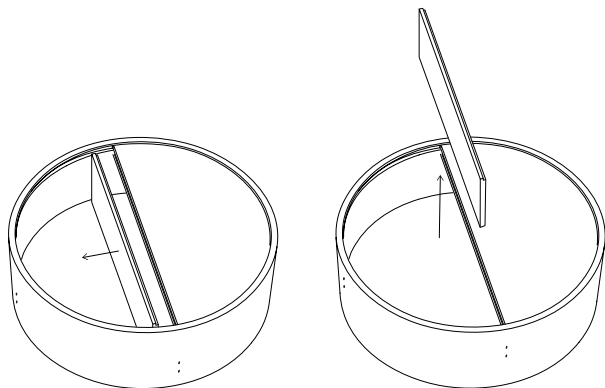
SCREW OUT SCREW, ROTATE AND REMOVE THE SMALL PIECE OF WOOD.  
THE WOOD ARE A PART OF THE PACKAGING AND SHOULD BE RECYCLED.





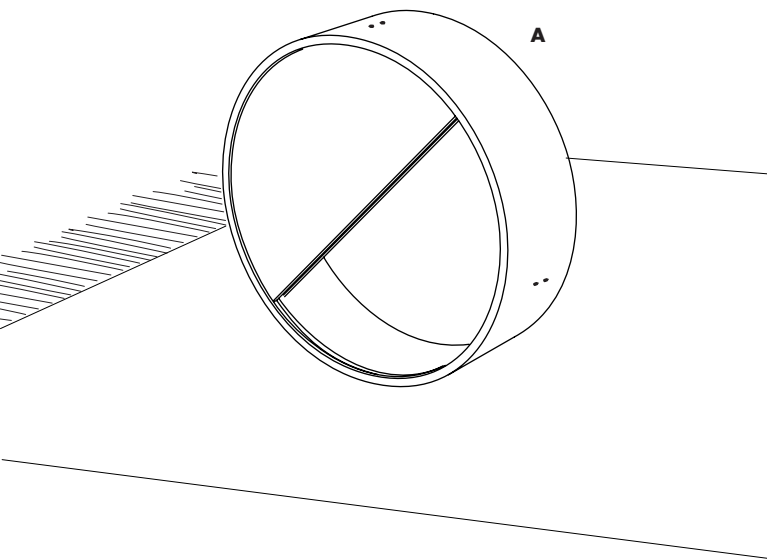
## STEP 2

REMOVE THE LARGE PIECE OF WOOD.  
THE WOOD ARE A PART OF THE PACKAGING AND SHOULD BE RECYCLED.



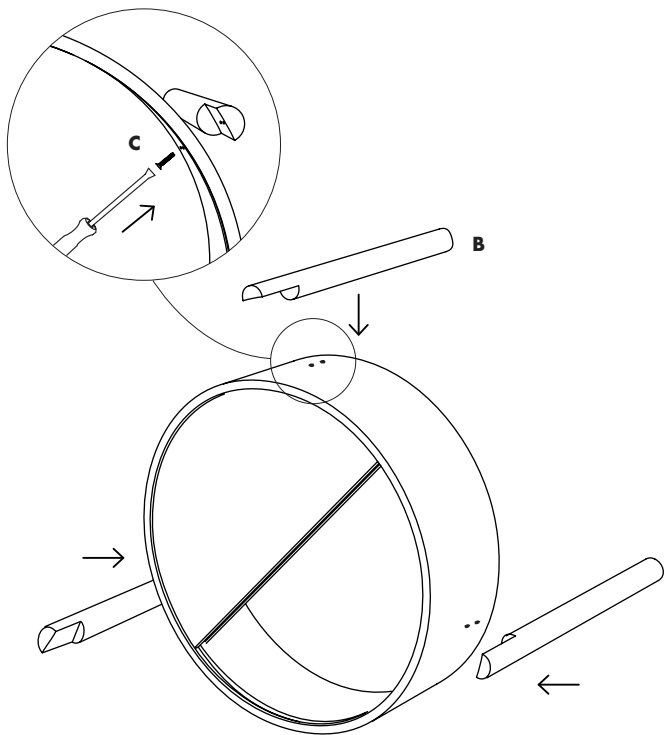
## STEP 3

WE RECOMMEND THAT YOU PLACE THE TABLE TOP ON A CARPET



## STEP 4

MOUNT THE SCREWS INSIDE OF THE TABLE TOP STORAGE SPACE AND APPLY THE LEGS ON THE OUTSIDE. IF NEEDED, ATTACH FELT GLIDES UNDER EACH LEG.



## STEP 5

NOW YOUR ARC TABLE IS READY TO PUT INTO USE. JUST ROTATE THE UPPER LID TO OPEN OR CLOSE THE STORAGE SPACE.

(WE RECOMMEND TO RETIGHTEN THE SCREWS AFTER THE FIRST MONTH, THEREAFTER EVERY SIX MONTHS OR AS NEEDED OVER TIME)

